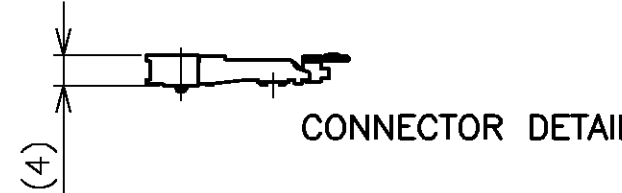
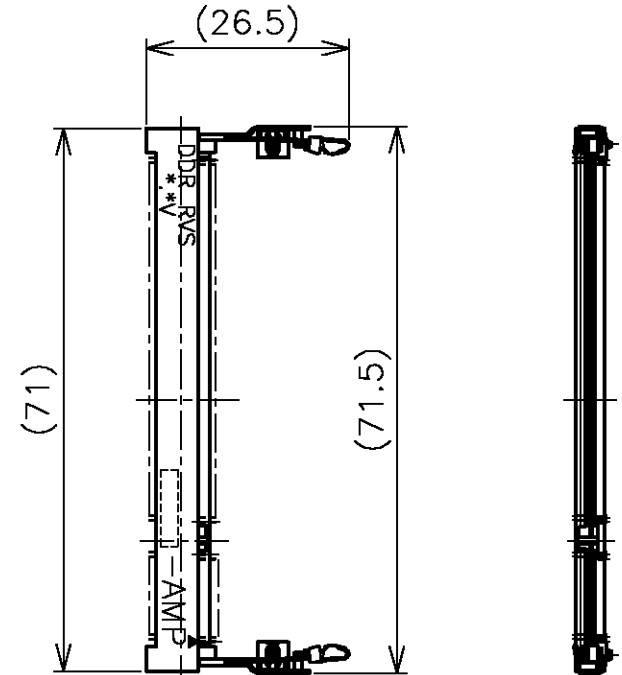
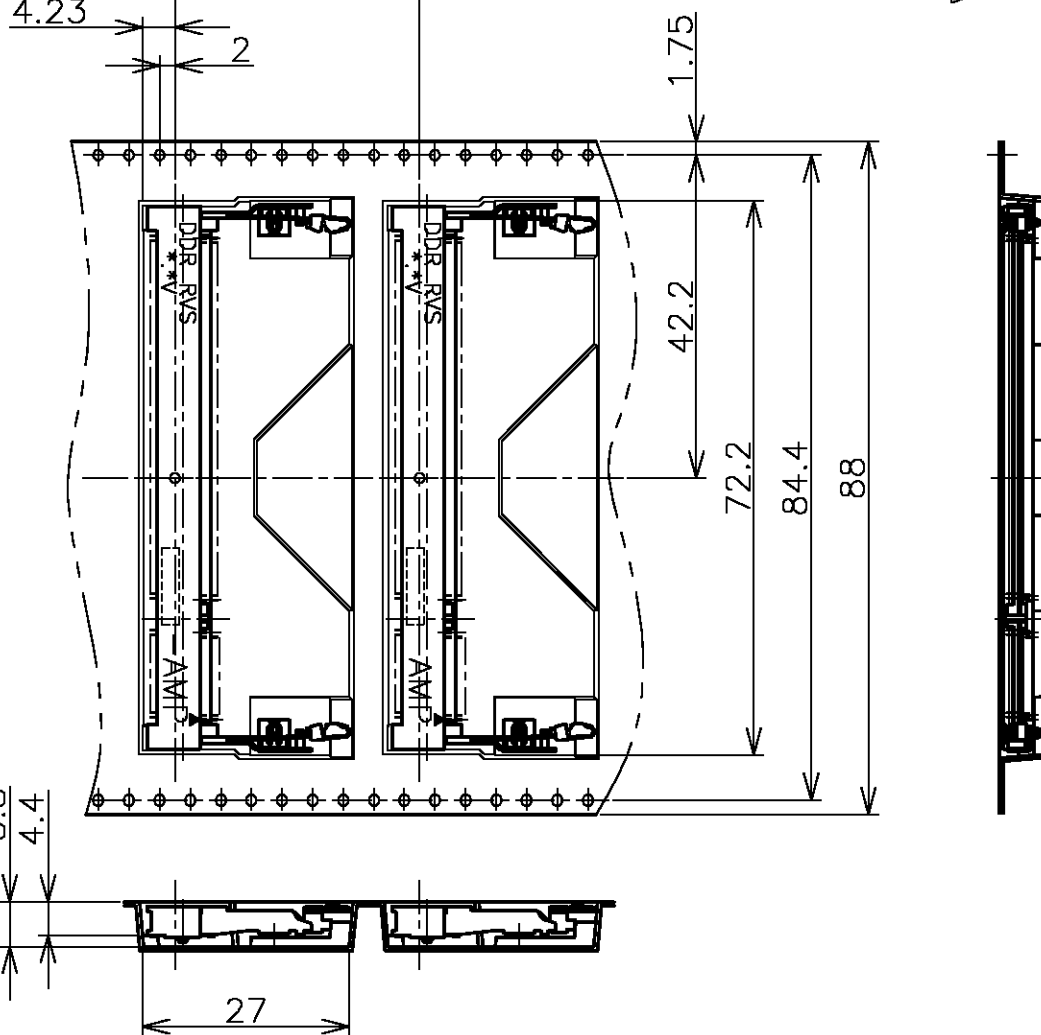
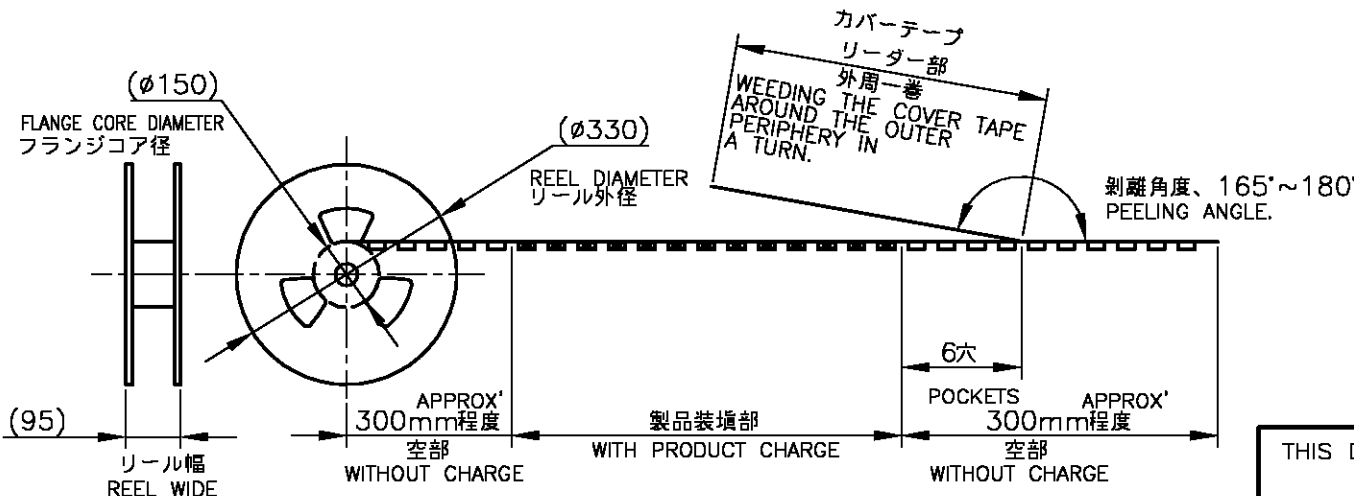


P	LTR	DESCRIPTION	DATE	DWN	APVD
C		REVISED (FJB0-0954-03)	6JAN04	T.F	H.M

リール引出し方向  
DIRECTION OFF TOP OF REEL →



鉛フリー  
LEAD FREE



POWER SUPPLY (TYPE)	QTY	CONNECTOR P/N	P/N
1.8V (DDR2)	200EA/REEL	1565619-4	1612560-4
2.5V (DDR1)	200EA/REEL	1565619-1	1612560-1

THIS DRAWING IS A CONTROLLED DOCUMENT.

DWN T.FUTATSUGI 11JUN02	Tyco Electronics AMP K.K. Kawasaki, Japan
CHK T.KUSUHARA 11JUN02	
APVD I.ENOMOTO 11JUN02	
NAME 名称	
PRODUCT SPEC 製品規格 108-5701	EMBOSS ASSEMBLY DDR1 & DDR2 SODIMM SOCKET 200P LOW PROFILE REVERSE TYPE
APPLICATION SPEC 取付適用規格	SIZE A3
WEIGHT	CAGE CODE 00779
CUSTOMER DRAWING	DRAWING NO 1612560
	RESTRICTED TO
	SCALE 尺 1:1
	SHEET 1 OF 1
	REV C